

WSP-122/TI

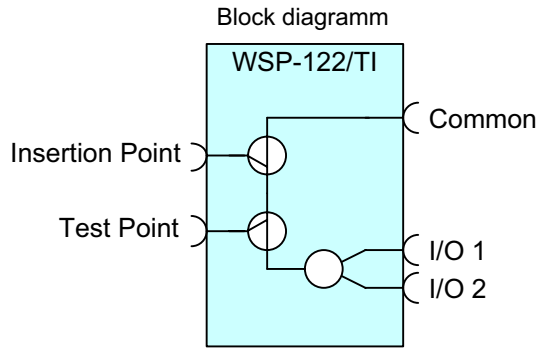
The WSP-122/TI is a passive wideband splitter. It combines 2 I/O to 1 common port.
 There is a 20 dB test point and a 20 dB insertion point at the common port.
 The unit is supplied with F connectors for the RF and BNC connectors for the test and insertion points.
 Dimensions of the cassette is 3,5 TE so 24 units can be placed into a standard 19 inch rack.(84TE)

Description	Min	Typ	Max	Units	Remark
Frequency range	I/O to common	5	1000	MHz	
Return loss	All ports	5 MHz < F < 40 MHz	20	dB	
		40 MHz < F < 1000 MHz	20	dB	1
Insertion loss	Common to I/O 1-2	5 MHz < F < 10 MHz	5.0	dB	
		10 MHz < F < 600 MHz	5.0	dB	
		600 MHz < F < 800 MHz	5.0	dB	
		800 MHz < F < 862 MHz	5.2	dB	
		862 MHz < F < 1000 MHz	6.0	dB	
	Test point	5-862 MHz w.r.t. Common	19.5	dB	
	Insertion point	5-862 MHz w.r.t. Common	19.5	dB	
Flatness (all ports)		5 MHz < F < 862 MHz	± 0,5	dB	
		862 MHz < F < 1000 MHz	± 1	dB	
Isolation	Input to Input	5 MHz < F < 600 MHz	30	dB	
		601 MHz < F < 1000 MHz	25	dB	
Connectors	Common	Back panel	F Female		2
	I/O	Back panel	F Female		2
	Test point	Front panel	BNC female		
	Insertion point	Front panel	BNC female		
Temperature range	Operational	10	+55	°C	
Humidity	Non condensing	5	95	%	
Vibration test		EN 60068 § 2-6 2008			
EMC	5 MHz < F < 300 MHz	75	85	dB	3
	300 MHz < F < 470 MHz	75	80	dB	3
	470 MHz < F < 1000 MHz	65	75	dB	3
Marking		CE / RoSH compliant			
Dimensions	H x W x D	3HE x 3,5TE x 70 mm			

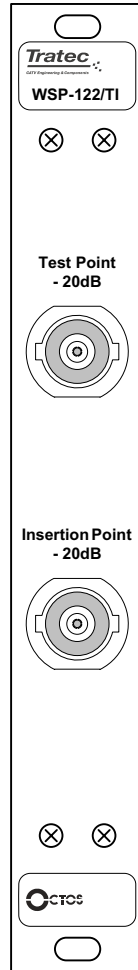
Remark

- At F = 40 MHz F > 40 MHz -1,5 dB/octave
- F connectors according to IEC 169-24 except inner contact = 1.1 mm
Spacing: F connectors 17 mm BNC connectors 36 mm
- According IEC 60728-2 § 4.4. (30 – 1000MHz) IEC 60728-2 (5 - 30MHz)

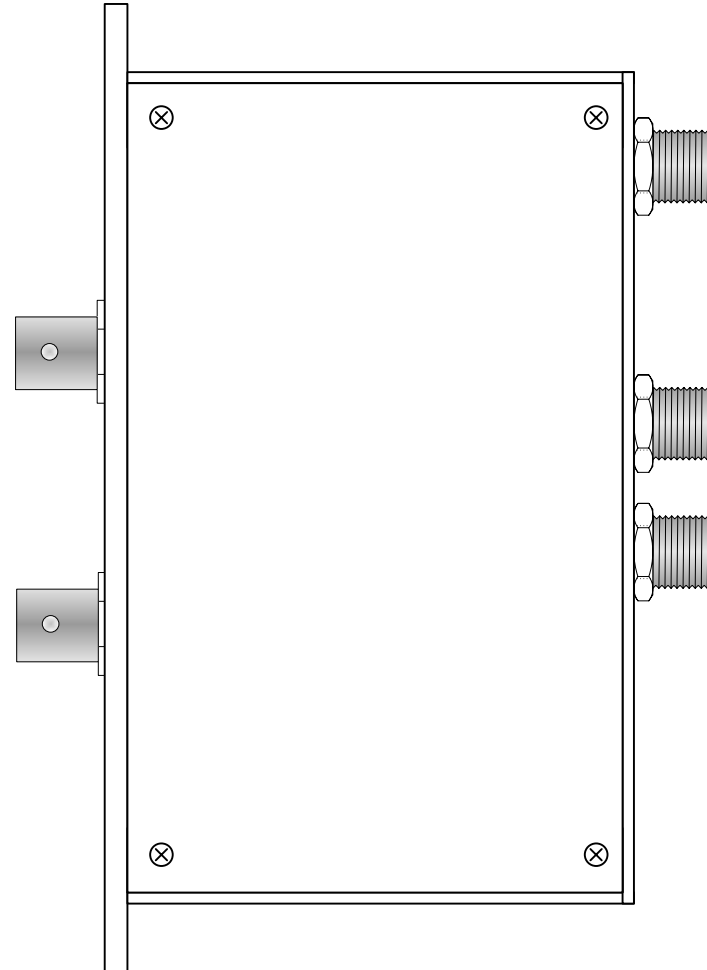
Subject	Wideband Splitter Passive	Version	V 2.0	Status	Final	Page 1
Part of	Octos System Mk-II	Date	30-07-2009	Publication	Public	of 1
Remark		Name	G Boskaljon	Checked by	AR	



Front panel

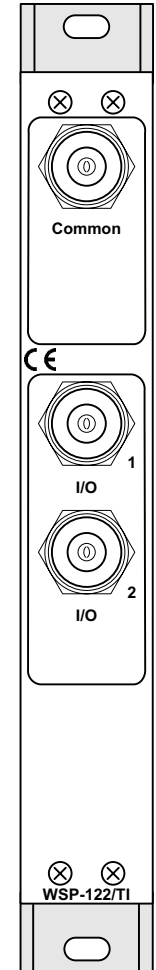


3,5 TE



Depth 70 mm

Back panel



Cassette Dimensions

Width: 3,5 TE
 Height: 3 HE
 Depth: ± 70 mm (exclusive connectors)

Front Connectors:

- BNC Female spacing front: 36 mm

Back Connector:

- F Female spacing: 17 mm

Subject	Wideband Splitter 1 to 2 + Test + Insertion	Version	V 0.2	Status	draft	Page	
Part of	Octos Sytem Mk-II	Date	08-01-2009	File name	F:/		
Remarks	Cassette front and back small version 3,5 TE	Name	Gerrit Boskaljon	Publication	Public		1 of 1