

**Preliminary Specifications**  
**SDP-128/T**



**SDP-128/T**

The SDP-128/T is a passive satellite IF divider. It divides 1 input to four outputs. Power input is at the back and is a DC input of 12 to 24 V DC max. The Input connector can feed a LNC with 18 V DC max and a max current of 150 mA, it contains a self recovering thermal fuse.

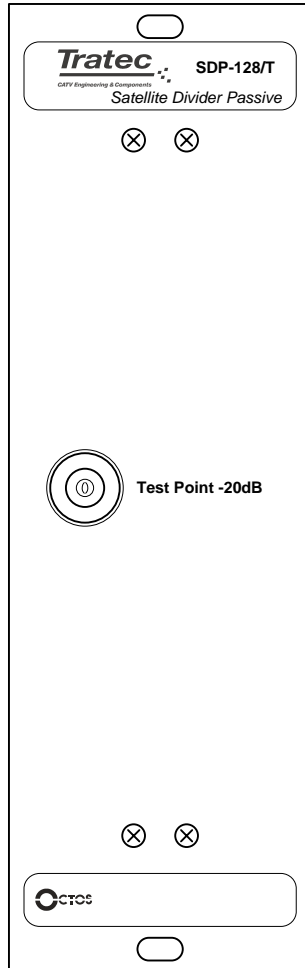
At the output of the attenuator a 20 dB test point is located.

Description	Min	Typ	Max	Units	Remark
Frequency range	950		2300	MHz	
Impedance		75		Ohm	1
Insertion loss					
Input to output 1 .. 8	950 MHz	15		dB	
	2300 MHz	13		dB	
Testpoint	950 MHz < F < 2300 MHz	20		dB	2
Supply voltage	12		24	V DC	
LNC voltage		18		V DC	
LNC current			150	mA	
Connectors					
Input – Output	Back panel	F Female			3
Test points	Front panel	F Female			3
Power	Back panel	F Female			3
Temperature range	Operational	-10	+55	°C	
Marking		CE			
Dimensions	H x W x D	3HE x 8TE x 170 mm			

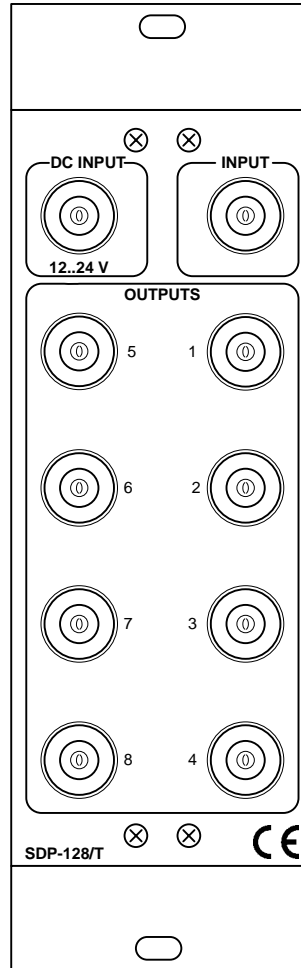
Remark	
1	Return loss 10 dB @ 950 MHz / F > 950 MHz -1,5 dB/octave
2	with respect to input level
3	According to IEC 169-24

Subject	Satellite Divider Passive /Test point	Version	V 0.1	Status	Draft	Page 1
Part of	Octos System	Date	15/05/2007	Publication	Public	of 1
Remark		Name	G Boskaljon	Checked by	.	

Front panel



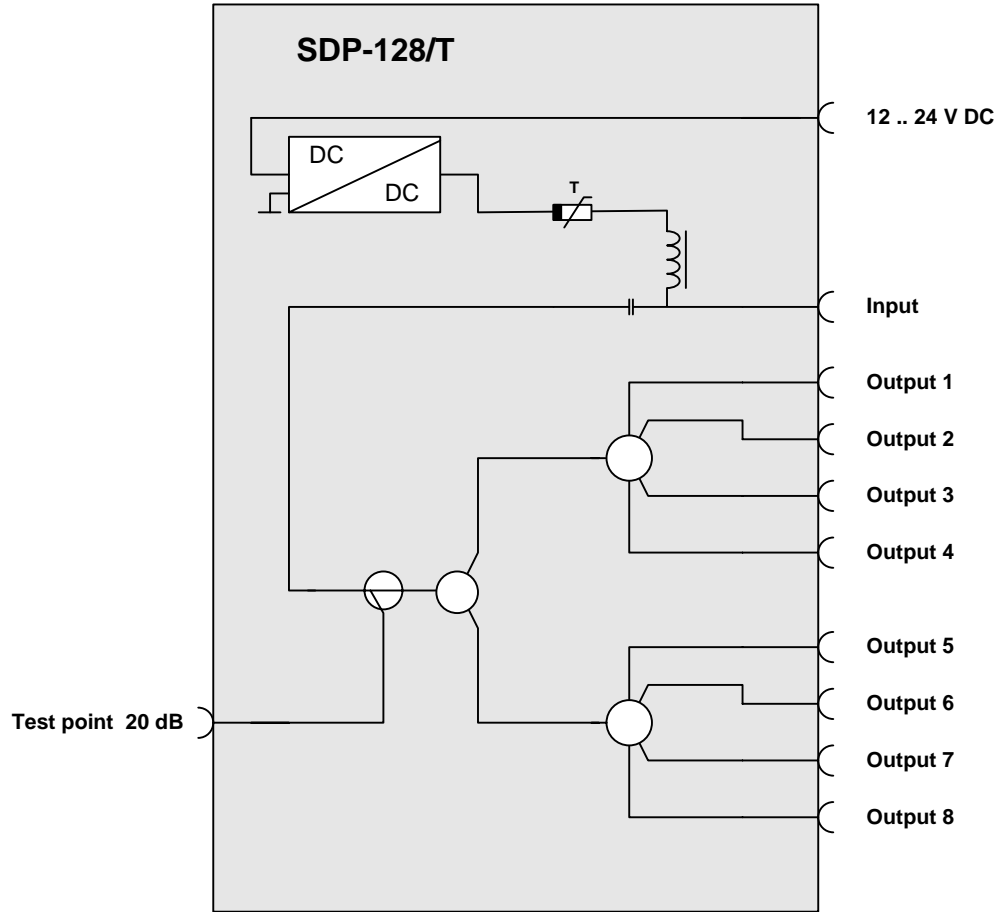
Back panel



Cassette Dimensions

Width: 8 TE  
 Height: 3 HE  
 Depth: ± 170 mm

Subject	Satellite Divider Passive 1 to 8 Test Point	Version	V 0.1	Status	draft	Page	
Part of	Octos Sytem	Date	15 / 05 / 2007	File name	F:/	1 of 1	
Remarks	Cassette front and back	Name	Gerrit Boskaljon	Publication	Public		



Subject	Satellite Divider Passive 1 to 8 / TP	Version	V 0.1	Status	draft	Page
Part of	Octos	Date	15 / 05 / 2007	File name	F:/	1 of 1
Remarks	Blockdiagram	Name	Gerrit Boskaljon	Publication	Public	