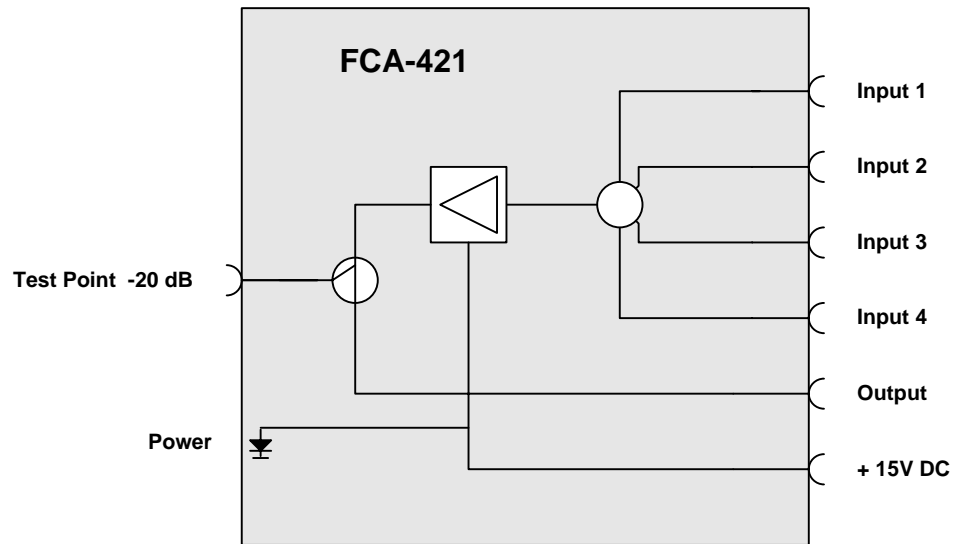


Description	Min	Typ	Max	Units	Remark
Frequency range	Inputs to output	40	862	MHz	
	Testpoint	40	862	MHz	
Return loss	all ports				
	40 MHz < F < 862 MHz	18		dB	1
Gain	Input to Output	-1	0	+1	dB
Flatness	Output		± 0.5	dB	
	Testpoint		± 1	dB	
Nominal input level		90		dBµV	
Intermodulation	64 channels @ 90dBuV				
	CTB		-60	dBc	
	CSO		-63	dBc	
Noise figure		11		dB	
Testpoint	w.r.t output	-20		dB	
Supply	Voltage	15		V DC	
	Current	320		mA	
Connectors	Supply	Back	F Female		2
	Input 1..4	Back	F Female		2
	Output	Back	F Female		2
	Testpoint	Front	F Female		2
Temperature range		5	+40	°C	
	reduced specifications	0	+55	°C	
EMC	30 MHz < F < 470 MHz	75	85	dB	3
	470 MHz < F < 1000 MHz	65	75	dB	3
Marking			CE		
Dimensions		3HE x 8TE x 170mm			

Remarks	
1	At F = 40 MHz F > 40 MHz -1,5 dB/octave
2	According to IEC 169-24
3	EN 50083-2 § 4.2.2.2.

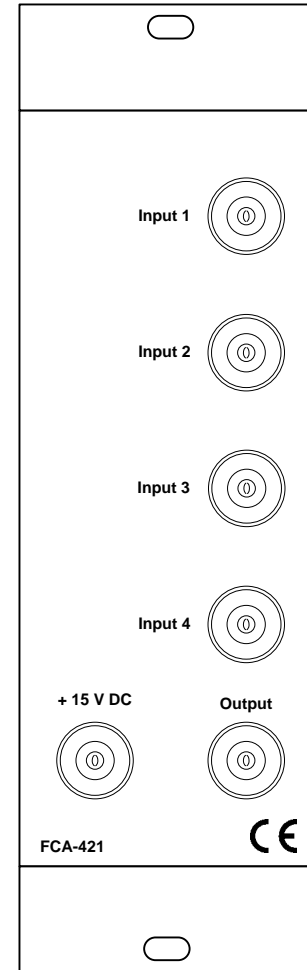
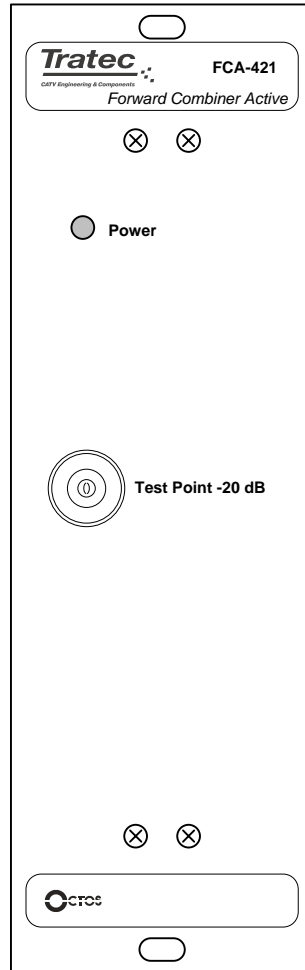
Subject	Forward Combiner Active 4 to 1	Version	V 0.1	Status	Draft	Page 1
Part of	Octos	Date	07/08/2007	Publication	Public	of 1
Remark		Name	G.Boskaljon	Checked by	.	

Forward Combiner Active FCA - 421



Subject	Forward Combiner Active 4 to 1	Version	V 0.1	Status	draft / original	Page
Part of	Octos	Date	07 / 08 / 2007	File name	F:/	1 of 1
Remarks	Blockdiagram	Name	Gerrit Boskaljon	Publication	Internally / Public	

Forward Combiner Active FCA - 421



Cassette Dimensions

Width: 8 TE
 Height: 3 HE
 Depth: ± 170 mm

Subject	Forward Combiner Active 4 to 1	Version	V 0.1	Status	draft / original	Page
Part of	Octos	Date	07 / 08 / 2007	File name	F/	1 of 1
Remarks	Front and Back side	Name	Gerrit Boskaljon	Publication	Internally / Public	